

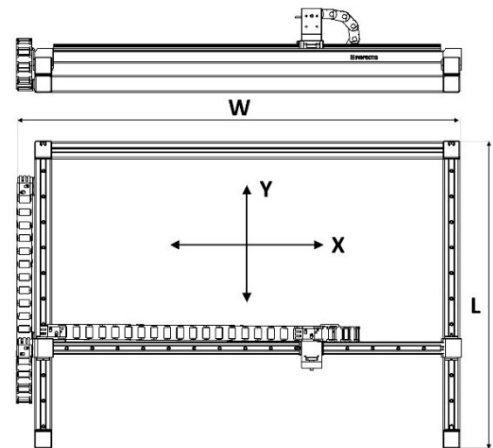
# Compact XY-travel Stand



Quality of Inspection

In-Line

Industrial grade XY-travel rack mount with cable carrier providing smooth lateral movement of the Digital Microscope over inspection object. Supplied with brackets for installation in commonly used industrial racks to provide fully integrated online inspection solutions. Ideal for assembly over conveyor lines or for processes where object handling is undesirable and especially suitable for constrained working space constricted.



Comprised of custom cut linear guiding system mounted on high density ESD protected 40x40mm or 30x30mm aluminium profiles for smooth and stable XY-travel of digital camera. The system is fitted with mounting brackets to allow the correct setting of working distance during installation in the user's rack system. 4-direction tilt unit, Z-extender bracket and camera grip handle are available for XY-travel Stand as extra accessories.

Made of high-quality anodised aluminium and stainless-steel parts.

## Specification:

X-travel range *	Custom made 100 to 1500 mm. $X = W - 190$ mm
Y-travel range *	Custom made 100 to 1500 mm. $Y = L - 225$ mm
Working Distance range **	10 to 500 mm
Weight	~ 5.0 to 15.0 kg depending on W and L lengths
Fastener to rack	Custom made or standard brackets with M6 mounting holes



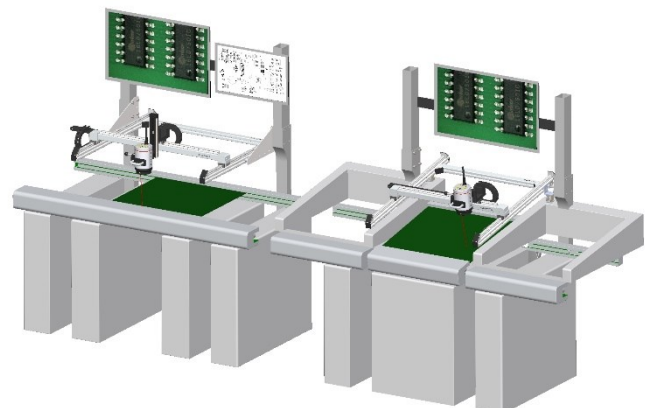
\* XY-travel ranges are specified by the customer

\* WD is adjusted by changing height of the entire XY-stand or by mounting Z-extender

## Ordering Number/Name

<b>HD-370</b>	Compact XY-Travel Stand, In-Line
<b>HD-380</b>	Compact XY-Travel Stand, table-top
<b>HD-171</b>	4-direction Tilt Unit for Travel Stands
<b>HD-172</b>	Rack-&-Pinion module for travel stands, Coarse/Fine
<b>HD-181</b>	Z-extender bracket for XY-travel Stands

Reseller:



V2, 2024

[www.inspect-is.com](http://www.inspect-is.com)