

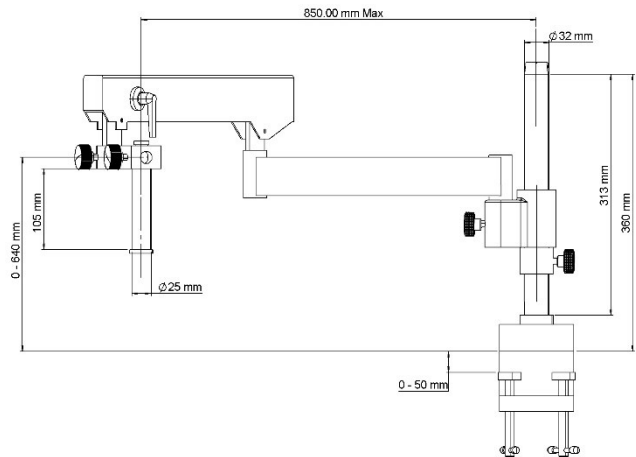
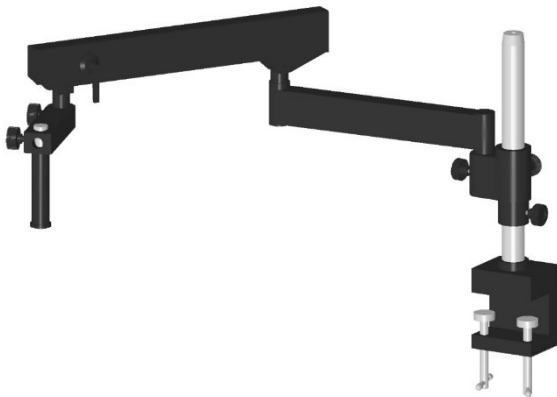
Heavy Duty Articulated Arm Stand

3-axis with Bench-top Clamp



Quality of Inspection

Heavy duty articulated arm stand with UNC 1/4"-20 mounting adapter and Rack&Pinion focusing mount for Inspectis digital microscopes. Spring loaded arms with locking knobs for holding the digital microscope firmly in place.



Sturdy bench-top clamp for excellent stability. Provides complete flexibility for horizontal, vertical, and angular adjustment.

Specification:

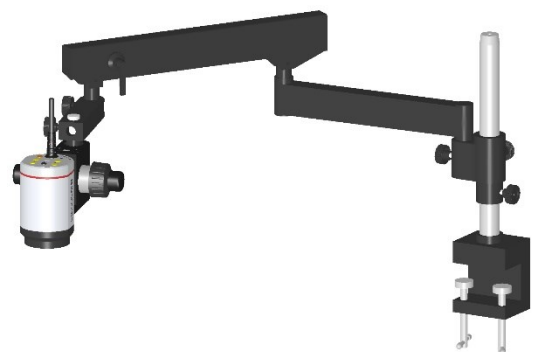
| | |
|-------------------|--|
| Lateral range | 850 mm |
| Working distance: | 0 - 570 mm |
| Clamping gap: | 0 - 50 mm |
| Mount: | UNC 1/4"-20 for Digital Microscope. Adapter for Rack&Pinion focusing modules |
| Weight: | 8.0 kg |

Ordering Number/Name

HD-081-H 3-axis Articulated-arm heavy duty Stand with Bench-top Clamp

Compatible Accessories

- HD-091** Rack-&-Pinion Focusing module, Coarse/Fine motion
- HD-090** Rack-&-Pinion Focusing module, Standard



Reseller: