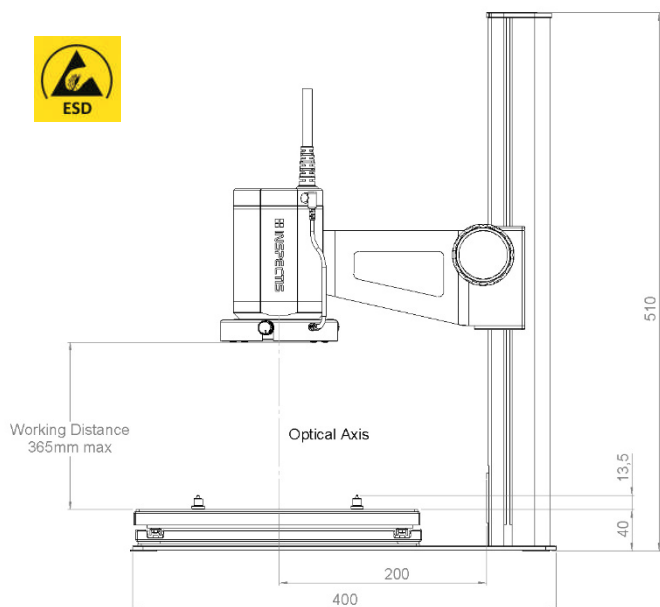


Track Stand, Large Base

with Focusing, Working Distance 35-410mm

Industrial-quality track stand with large size antistatic coated base and rack & pinion for focus and working distance adjustment of Digital Microscopes.



Provides flexibility for fine focusing of the image or working distance adjustment of Inspectis Digital Microscopes when used with different close-up lenses.

Track height of 500mm provides a practical range that allows easy viewing of small and large objects. Compatible with all Inspectis stand-alone "s" Digital Microscopes. Compatible with Inspectis XY floating- and tilt boards.

Specification:

Height of track stand	500 mm
Working distance range / Travel	35 - 410mm / 375mm
Size of base	400×295×6mm
Weight	~ 6.0 kg
Others	ESD-protected Base with ESD matt

Ordering Number/Name

HD-210-LB-E Track stand, Large Base with focusing WD 35-410mm, ESD-Protected base

Reseller:

