

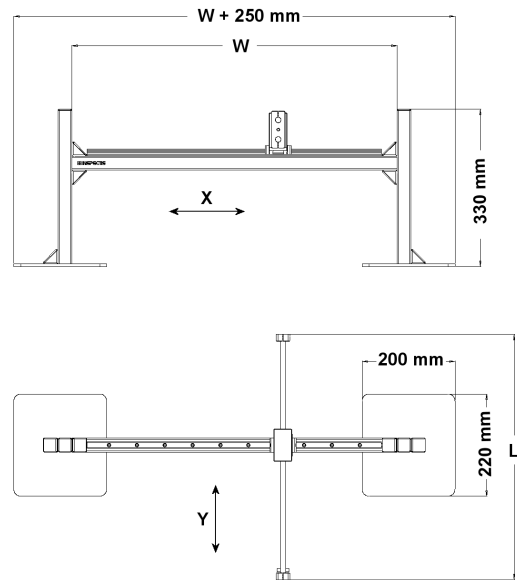
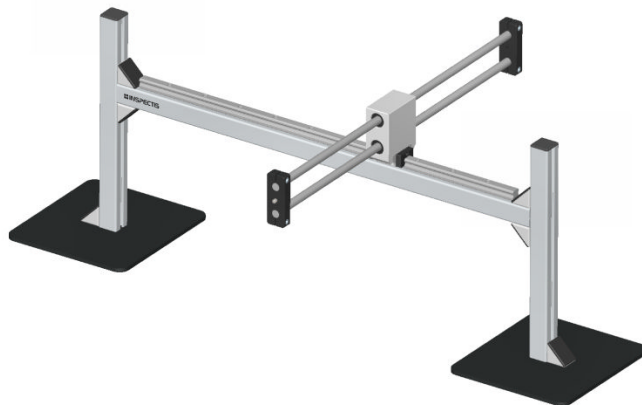
# XY-travel Stand



Quality of Inspection

Bench-top

The Inspectis XY-travel stand provides smooth lateral movement of the Digital Microscope over the object under inspection. Use especially when inspecting large objects or for processes where object handling is undesirable.



Custom cut linear guiding system mounted on high density aluminum profile for X-travel and a rigid custom sized double-arm boom creates requested Y-travel range of the Digital Microscope. The height of the linear guide can be adjusted and set to give the correct working distance of the Digital Microscope using 4x angle brackets. 4-direction tilt unit, Rack-&-Pinion Focusing module and Z-movement bracket are available for XY-travel Stand as extra accessories.

Made of high-quality aluminum and antistatic coated steel.

## Specification:

X-travel range*	Custom made 100 to 750 mm. $X = W - 120$ mm
Y-travel range*	Custom made 100 to 600 mm. $Y = L - 110$ mm
Working Distance range*	Adjustable from 60 to 300 mm.
Weight	~ 7.0 to 12.0 kg depending on W and L lengths
Others	ESD protected



## Ordering Number/Name

- HD-180 XY-Travel Stand, Bench-top
- HD-171 4-direction Tilt Unit for Travel Stands
- HD-172 Rack-&-Pinion Focusing module for travel stands, Coarse/Fine
- HD-181 Z-movement bracket for XY-travel Stands

Reseller:

