

Camera handle grip

for XY-stands



Quality of Inspection

The Inspectis camera handle grip is attached between Digital Microscope and Inspectis XY travel stands. Designed for user friendly XY- displacement of digital microscope over inspection object.



Compatible with all Inspectis Digital Microscope Stands. Made of high quality anodised aluminum parts.

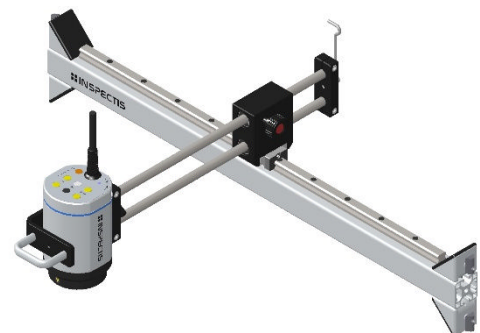
Specification:

Size	138x86x32mm
Weight	~ 150 g

Ordering Number/Name

HD-173 Inspectis Camera handle grip for XY-stands

Reseller:



V1, 2020

www.inspect-is.com