

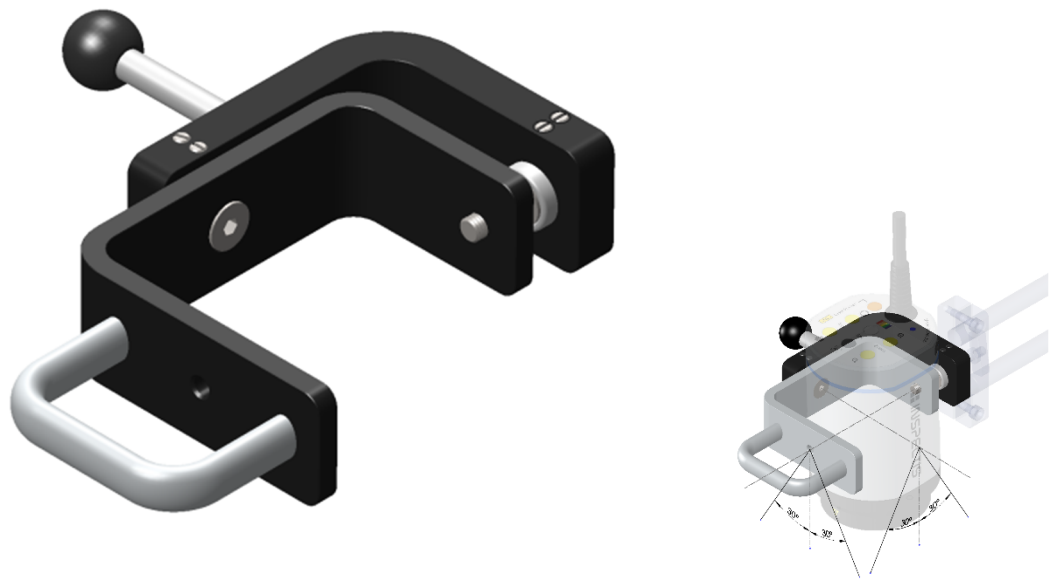
# 4-direction Tilt Unit



Quality of Inspection

for Inspectis Stands

The Inspectis 4-direction tilt unit provides quickly repeatable  $\pm 30^\circ$  slope angles along both X and Y-axes. Designed for side viewing of the object under inspection whilst retaining the position within the standard working distance of the Inspectis Digital Microscope. Equipped with individual X- and Y-handles and discrete stops at  $30^\circ$  angles for easy operation.



Compatible with all Inspectis Digital Microscope Stands. Made of high quality aluminum and Stainless Steel parts.

## Specification:

|               |   |
|---------------|---|
| Tilt angle    | $\pm 30^\circ$ along X and Y-axis               |
| Size / Weight | 124x104x35mm (exclusive handles) / $\sim 350$ g |
| Others        | ESD protected                                   |



## Ordering Number/Name

**HD-171** 4-direction Tilt Unit for Inspectis Stands



Reseller:

V1, 2019

[www.inspect-is.com](http://www.inspect-is.com)