

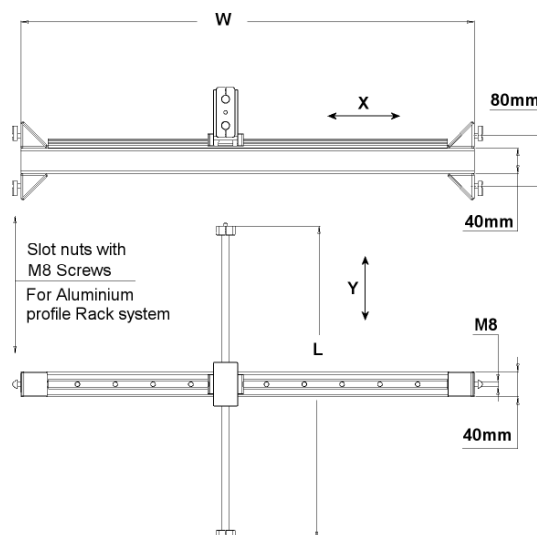
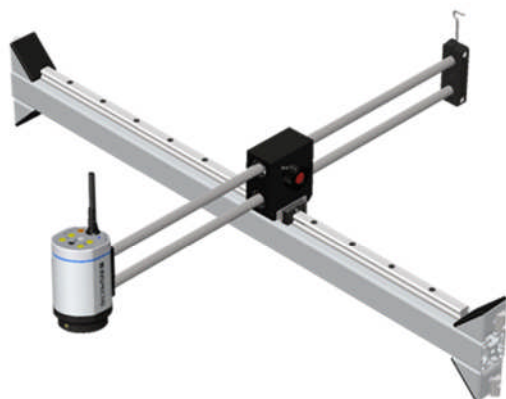
# XY-travel Stand



Quality of Inspection

In-Line

Industrial grade XY-travel rack mount providing smooth lateral movement of the Digital Microscope over inspection object. Designed for installation in commonly used industrial racks to provide fully integrated online inspection solutions. Ideal for assembly over conveyor lines or for processes where object handling is undesirable.



Custom cut linear guiding system mounted on high density aluminium profile for X-travel and a rigid custom sized double-arm boom for Y-travel. The X profile is fitted with mounting brackets to allow the correct setting of working distance during installation in the user's rack system. 4-direction tilt unit, Z-extender bracket and camera grip handle are available for XY-travel Stand as extra accessories.

Made of high-quality anodised aluminium and Stainless-Steel parts.

## Specification:

X-travel range*	Custom made 100 to 750 mm. $X = W - 120$ mm
Y-travel range*	Custom made 100 to 600 mm. $Y = L - 110$ mm
Working Distance range*	Adjustable from 60 to 300 mm.
Weight	~ 4.0 to 9.0 kg depending on W and L lengths
Fastener to rack	Slot nuts with M8 screws (8mm slot on Rack needed)
Others	ESD protected



## Ordering Number/Name

- HD-170 XY-Travel Stand, In-Line
- HD-170-LR XY-Travel Stand, In-Line, Long Y-range
- HD-171 4-direction Tilt Unit for Travel Stands
- HD-172 Rack-&-Pinion module for travel stands, Coarse/Fine
- HD-181 Z-movement bracket for XY-travel Stands



Reseller: