

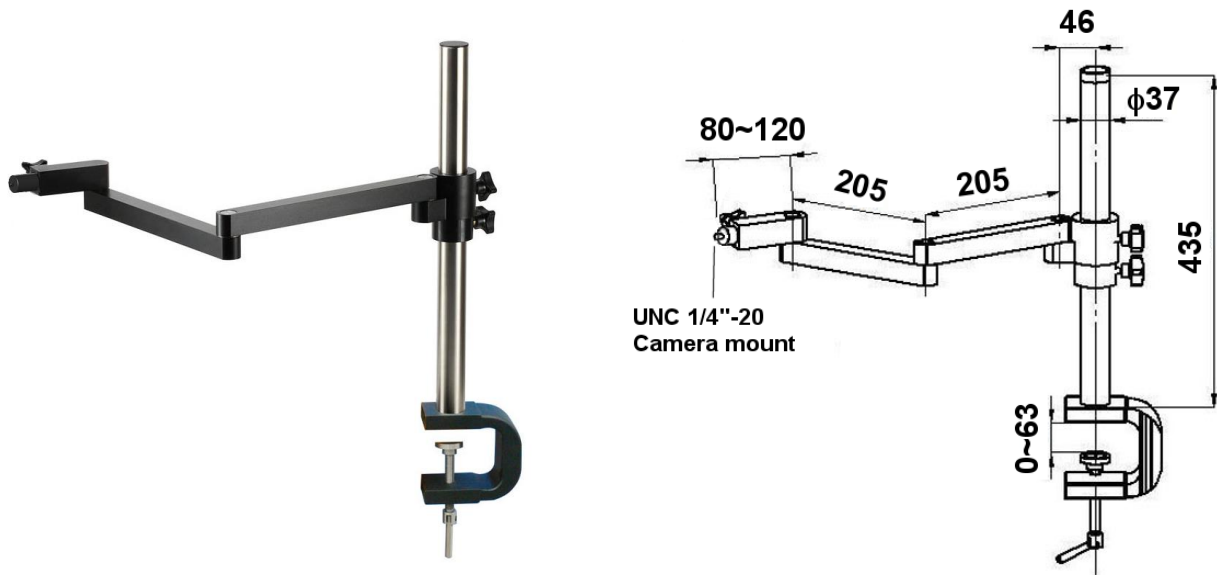
Articulated-arm Boom Stand

with Bench-top Clamp



Quality of Inspection

Industrial-type heavy duty swing arm boom with UNC 1/4"-20 mounting adapter for Inspectis Digital Microscopes. Working distance of Microscope is kept fix when travelled across object.



Sturdy bench-top clamp for excellent stability. Provides complete flexibility for horizontal, vertical and angular adjustment.

Specification:

Vertical post length / Diameter:	435mm / Φ 37mm
Nominal Boom length / Travel:	500mm / 400mm
Maximum allowed tabletop thickness:	63mm
Weight:	4.5 kg
Others:	Camera mount included

Ordering Number/Name

HD-080 Articulated-arm Boom Stand with Bench-top Clamp



Compatible Accessories

HD-090 Rack-&-Pinion Fine Focusing module

Reseller: