

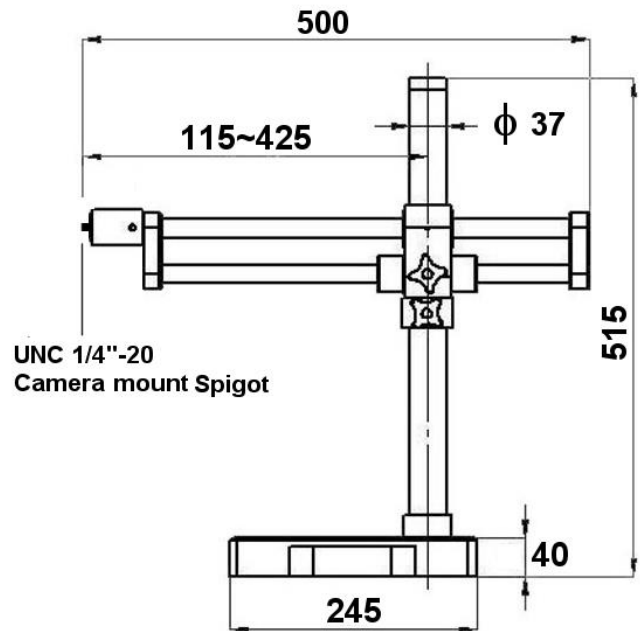
Double-arm Boom Stand

with Heavy-Duty Base



Quality of Inspection

Industrial-type double-arm boom stand with UNC 1/4"-20 mounting screw spigot for Inspectis Digital Microscopes.



Sturdy solid metal 245mm x 245mm x 40mm base for excellent stability. Provides complete flexibility for horizontal, vertical and angular adjustment.

Specification:

Vertical post length / Diameter	515mm / Φ 37mm
Boom length / Travel:	500mm / 310mm
Size of base:	245x245x40mm
Weight:	15 kg
Others:	Camera mounting spigot included

Ordering Number/Name

HD-070 Double-arm Boom Stand with Heavy-Duty Base

Compatible Accessories

HD-090 Rack-&-Pinion Fine Focusing module



Reseller: