

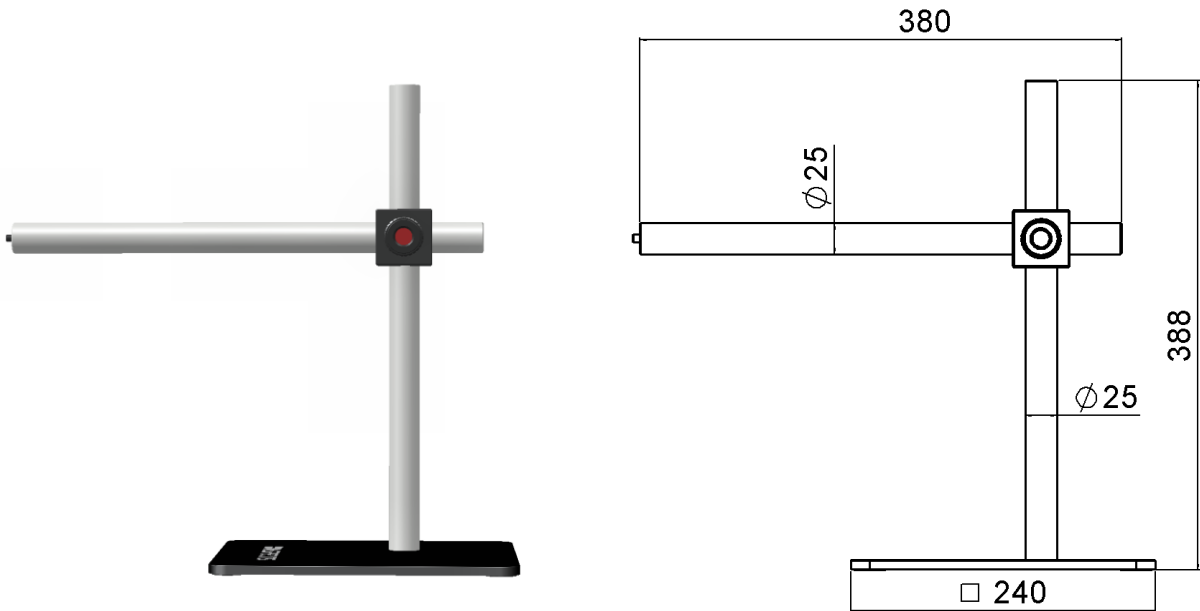
Single-arm Boom Stand

with Stainless Steel Rods



Quality of Inspection

Industrial-type boom stand with sturdy base and 25mm diameter vertical and horizontal post in Stainless Steel that extends over the working area.



Provides complete flexibility for horizontal and vertical adjustment of Digital Microscope.
ESD-protected version available for EPA environments. Designed for Inspectis Digital Microscopes.

Specification:

Vertical post length / Diameter / Travel:	388mm / Φ 25mm / 350mm
Horizontal rod length / Diameter / Travel:	380mm / Φ 25mm / 300mm
Size of base:	240x240x6.2mm
Weight:	5.9 kg
Others:	ESD protected version

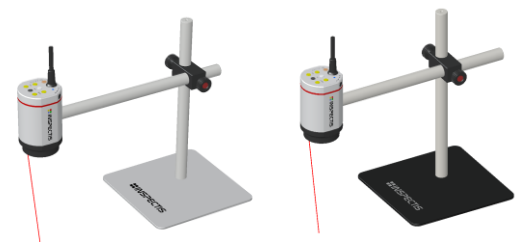


Ordering Number/Name

HD-060 Single-arm Boom Stand, Standard
HD-060-E Single-arm Boom Stand, Antistatic

Compatible Accessories

HD-090 Rack-&-Pinion Fine Focusing module
HD-061 Single-arm Boom Stand XY-tilt module and Rack-&-Pinion Fine Focusing Adapter



Reseller:

V2, 2018

www.inspect-is.com