

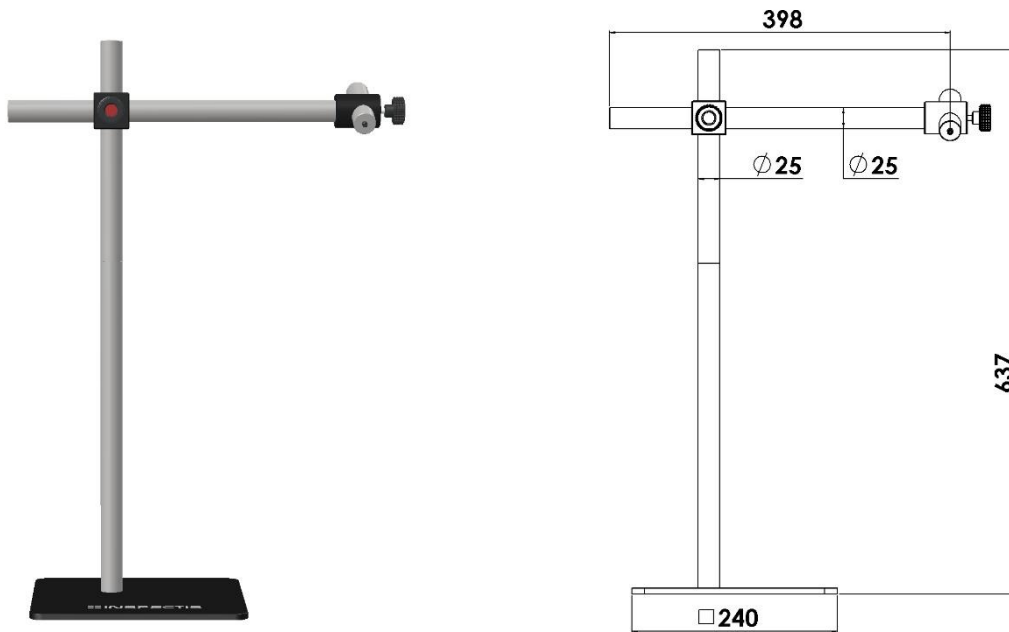
# Single-arm Boom Stand

Extended 500mm WD



Quality of Inspection

Industrial-type boom stand with extended L630mm and  $\phi 25$ mm diameter vertical post and  $\phi 25$ mm L380mm boom in Stainless Steel that extends over the working area. Equipped with 90° crossed-adapter and extra L100mm rod for side-mounting of digital microscopes.



Provides complete flexibility for horizontal and vertical adjustment of Digital Microscope. ESD-protected version available for EPA environments. Designed for Inspectis Digital Microscopes.

## Specification:

Vertical post length / Diameter / Travel:	637mm / $\phi 25$ mm / 590mm
Horizontal rod length / Diameter / Travel:	380mm / $\phi 25$ mm / 328mm
Size of base:	240x240x6.2mm
Weight:	7.3 kg



## Ordering Number/Name

- HD-060-EXT Single-arm Boom Stand, Extended 500mm WD
- HD-060-EXT-E Single-arm Boom Stand, Extended 500mm WD Antistatic

## Compatible Accessories

- HD-090 Rack-&-Pinion Fine Focusing module

Reseller:



V1, 2018

[www.inspect-is.com](http://www.inspect-is.com)